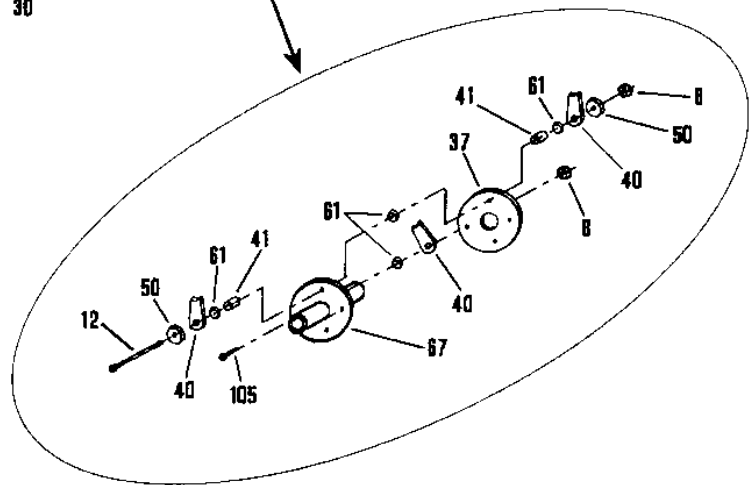
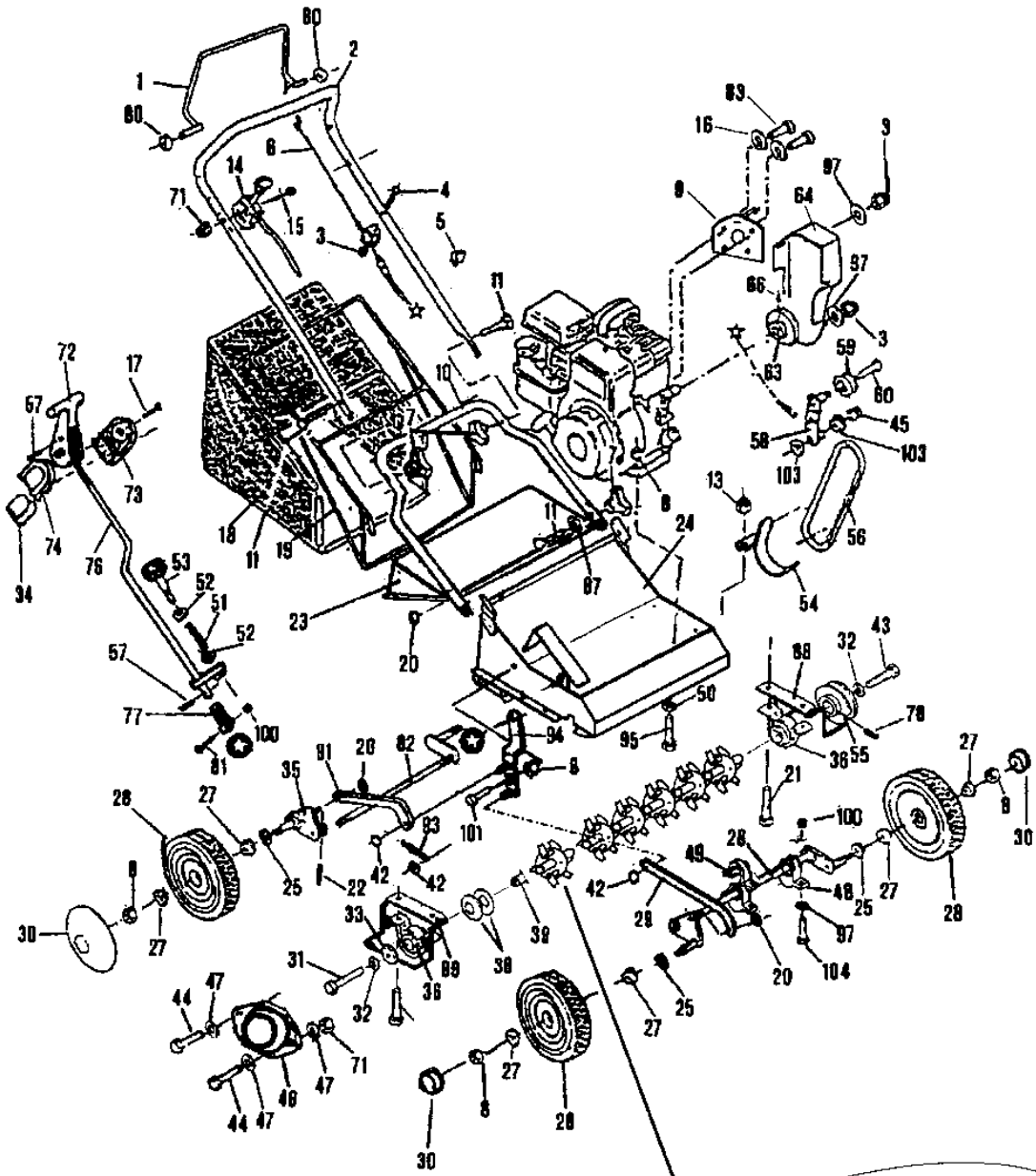


# S 460 B



# S 460 B

Fig.	References	Désignation	Part Name	Bezeichnung	Descrizione	Descripcion	Designação	Omschrijving	S 460 B S 460 H
1	73405	Poignée d'embrayage	Lever clutch	Kupplungsgriff	Barra	Empunadura	Alavanca	Koppelingshendel	X
2	73194	Guidon	Handlebar	Lenker	Manico	Barra	Guiador	Handgreep	X
3	73271	Ecrou	Nut	Mutter	Dado	Tuerca	Parafuso	Moer	5
4	Z03.6.45	Vis	Screw	Schraube	Vite	Tornillo	Parafuso	Schroef	1
5	42032	Collier	Clip	Klemmschelle	Ferma cavo	Abrazadera	Gancho	Kabelbinder	6
6	73270	Timonerie d'embrayage	Clutch control	Gestange	Cavo semovenza	Varillaje	Timão	Koppelingstang	X
7	46032	Bouton de fixation	Nut	Mutter	Pomolo manico	Tuerca	Parafuso	Moer	4
8	Z53.8	Ecrou	Nut	Mutter	Dado	Tuerca	Parafuso	Moer	33
9	73858	Platine	Support	Trager	Supporto	Pletina	Platina	Steun	1
10	73195	Guidon inférieur	Handlebar	Lenker	Manico	Barra	Guiador	Handgreep	X
11	Z42.8.45CC	Vis	Screw	Schraube	Vite	Tornillo	Parafuso	Schroef	4
12	Z26.8.70	Vis	Screw	Schraube	Vite	Tornillo	Parafuso	Schroef	24
13	73276	Ecrou	Nut	Mutter	Dado	Tuerca	Parafuso	Moer	4
14	30525	Commande d'accélération	Throttle control	Gashebelgestange	Acceleratore	Mando	Accelerador	Gaskabel	X
15	Z03.6.45	Vis	Screw	Schraube	Vite	Tornillo	Parafuso	Schroef	1
16	Z12.8AZ	Rondelle	Washersher	Scheibe	Rondella	Arandela	Anilha	Ring	4
17	Z29.4.25	Vis	Screw	Schraube	Vite	Tornillo	Parafuso	Schroef	4
18	71514	Sac	Bag	Sack	Tela cesto	Bolsa de recogida	Saco do pixo	Verzamelzak	X
19	71513	Armature	Sack frame	Armatur	Telaio cesto	Armadura	Armadura	Zakarmatur	X
20	45004	Clips	Clip	Clips	Ritegno	Clip	Anel	Clip	4
21	Z03.10.25	Vis	Screw	Schraube	Vite	Tornillo	Parafuso	Schroef	4
22	013.4.22	Goupille	Pin	Splint	Spina	Pasador	Pino	Pin	1
23	73260	Volet arrière	Deflector	Ablenklech	Parasassi	Deflector	Deflector	Deflector	X
24	73641	Chassis	Carter	Casco	Casco	Casco	Casco	Aandrijfkap	X
25	47408	Rondelle	Washer	Scheibe	Rondella	Arandela	Anilha	Ring	4
26	73643	Essieu avant	Axle	Achse	Astina	Eje	Eixo	Wiel	X
27	47309	Coussinet	Bearing bush	Wellenlager	Cuscinetto	Cojinete	Casquillo	Lagerbus	8
28	43383	Roue	Wheel	Rad	Ruota	Rueda	Roda	Wiel	4
29	73646	Tringle	Bar	Stange	Barra	Barra	Supporte	Stern	X
30	43386	Enjoliveur	Hub cap	Radzierkappe	Copriruota	Embellecedor	Calote	Dop	4
31	003.10.30	Vis	Screw	Schraube	Vite	Tornillo	Parafuso	Schroef	1
32	012.10.AZ	Rondelle éventail	Washer	Scheibe	Rondella	Arandela	Anilha	Ring	2
33	71524	Rondelle	Washer	Scheibe	Rondella	Arandela	Anilha	Ring	1
34	73251	Bride	Plate	Plaquette	Piastrina	Tapa	Platina	Plaat	1
35	73257	Essieu arrière	Axle	Achse	Astina	Eje	Eixo	Wielas	X
36	71523	Roulement	Bearing	Lager	Cuscinetto	Cojinete	Rolamento	Kogellager	2
37	73863	Entretoise	Spacer	Abstandsstück	Distanziale	Distanziador	Separador	Abstandsstück	6
38	71531	Rondelle "Belleville"	Washer	Scheibe	Rondella	Arandela	Anilha	Ring	2
39	71518	Arbre	Shaft	Welle	Assale	Eje	Eixo	Wielas	X
40	73852	Couteau	Blade	Messer	Zappetta	Cuchilla	Lamina	Mes	36
41	73862	Entretoise	Spacer	Abstandsstück	Distanziale	Distanziador	Separador	Abstandsstück	24
42	72499	Clips	Clip	Clips	Ritegno	Clips	Anel	Clip	3
43	003.10.40	Vis	Screw	Schraube	Vite	Tornillo	Parafuso	Schroef	1
44	Z03.5.16	Vis	Screw	Schraube	Vite	Tornillo	Parafuso	Schroef	2
45	Z53.10	Ecrou	Nut	Mutter	Dado	Tuerca	Porca	Moer	1
46	72483	Cache-palier	Cover	Haube	Coperchio	Embellecedor	Calote	Dop	X
47	Z08.L5N	Rondelle	Washer	Scheibe	Rondella	Arandela	Anilha	Ring	5
48	43257	Palier	Spacer	Anstandhåle	Cuscinetto	Cojinete	Separador	Abstandsstück	2
49	73642	Palier	Spacer	Anstandhåle	Cuscinetto	Cojinete	Separador	Abstandsstück	2
50	Z08.L8N	Rondelle	Washer	Scheibe	Rondella	Arandela	Anilha	Ring	8
51	71517	Ressort	Spring	Feder	Molla	Muelle	Mola	Veer	1
52	Z08.M10U	Rondelle	Washer	Scheibe	Rondella	Arandela	Anilha	Ring	2
53	72753	Poignée	Knob-height	Anschlag	Pomolo	Tornillo	Batao	Knop	1
54	73269	Guide courroie	Vee belt guide	Riemenführung	Guida cinghia	Guia de correa	Guia de correa	Drifriemgeleider	X
55	71526	Poulie réceptrice	Pulley	Treibrad	Puleggia	Polea	Polea	Riemschijf	1
56	711.16	Courroie	Belt	Riemen	Cinghia	Correa	Correia	Riem	1
57	013.6.20	Goupille	Pin	Splint	Spina	Pasador	Pino	Pin	2
58	72782	Bras de galet	Arm	Vorrichtung	Leva	Leva	Braço	Rolårm	X
59	30554	Galet	Tensioner wheel	Riemenspannrolle	Puleggia	Polea	Polea	Rol	1
60	Z03.10.20	Vis	Screw	Schraube	Vite	Tornillo	Parafuso	Schroef	1
61	73859	Rondelle	Washer	Scheibe	Rondella	Arandela	Anilha	Ring	36
62	Z03.792416	Vis	Screw	Schraube	Vite	Tornillo	Parafuso	Schroef	2
63	71525	Poulie motrice	Pulley	Treibrad	Puleggia	Polea	Polea	Riemschijf	1
64	71373	Capot courroie	Cover	Riemenhaube	Coperchio	Capo	Cobertura	Kap	1
66	052.8.8	Vis	Screw	Schraube	Vite	Tornillo	Parafuso	Schroef	1
67	73860	Support	Support	Trager	Supporto	Pletina	Platina	Steun	6
71	73275	Ecrou	Nut	Mutter	Dado	Tuerca	Parafuso	Moer	2
72	72489	Poignée	Clutch	Hebel	Leva	Empunadura	Alavanca	Hendel	1
73	72487	Platine G.	Support	Trager	Supporto	Soporte	Hevel	Stern	X
74	72488	Platine D.	Engine	Trager	Supporto	Soporte	Hevel	Stern	X
76	73252	Tringle	Bar	Stange	Barra	Barra	Supporte	Stern	X
77	72491	Bride	Support	Trager	Supporto	Soporte	Hevel	Braco	X
78	024.6.10	Vis	Screw	Schraube	Vite	Tornillo	Parafuso	Schroef	1
80	46301	Rondelle	Washer	Scheibe	Rondella	Arandela	Anilha	Ring	6
81	Z01.6.25	Vis	Screw	Schraube	Vite	Tornillo	Parafuso	Schroef	1
82	73259	Essieu arrière	Axle	Achse	Astina	Eje	Eixo	Wielas	X
83	Z03.792416	Vis	Screw	Schraube	Vite	Tornillo	Parafuso	Schroef	2
88	73263	Arceau G.	Support L.	Trager L.	Supporto L.	Soporte	Supporte	Stern	X
89	73264	Arceau D.	Support R.	Trager R.	Supporto D.	Soporte	Supporte	Stern	X
91	73256	Tringle	Bar	Stange	Barra	Barra	Supporte	Stern	X
93	72731	Ressort	Spring	Feder	Molla	Muelle	Mola	Veer	1
94	72736	Levier	Arm	Vorrichtung	Supporto	Soporte	Hevel	Braco	X
95	Z03.8.35	Vis	Screw	Schraube	Vite	Tornillo	Parafuso	Schroef	3
	Z03.8.40	Vis	Screw	Schraube	Vite	Tornillo	Parafuso	Schroef	1
97	Z08.L6U	Rondelle	Washer	Scheibe	Rondella	Arandela	Anilha	Ring	5
100	Z53.6	Ecrou	Nut	Mutter	Dado	Tuerca	Parafuso	Moer	5
101	Z23.8.20	Vis	Screw	Schraube	Vite	Tornillo	Parafuso	Schroef	1
103	72780	Entretoise	Spacer	Anstandhåle	Distanziale	Distanziador	Separador	Abstandsstück	2
104	Z03.6.20	Vis	Screw	Schraube	Vite	Tornillo	Parafuso	Schroef	4
105	Z26.8.20	Vis	Screw	Schraube	Vite	Tornillo	Parafuso	Schroef	12